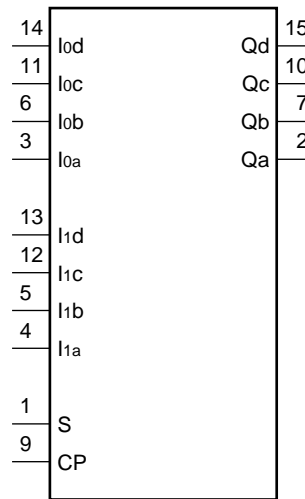
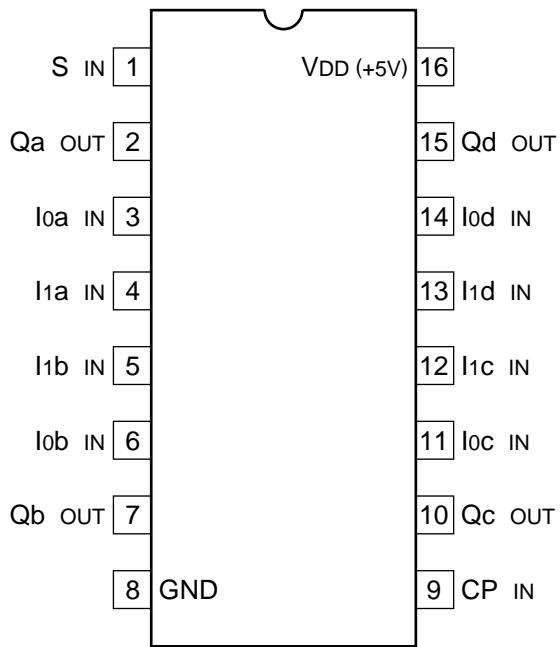


\*\*\*\*\*

**C-MOS QUAD 2-PORT REGISTER**  
-TOP VIEW-



**INPUT**

- CP ; CLOCK PULSE
- loa - lod ; DATA INPUTS FROM SOURCE 0
- l1a - l1d ; DATA INPUTS FROM SOURCE 1
- S ; COMMON SELECT

**OUTPUT**

- Qa - Qd ; REGISTER TRUE

INPUTS				OUTPUTS	
S	lo	l1	CP	Q	$\bar{Q}$
0	0	X		0	1
0	1	X		1	0
1	X	0		0	1
1	X	1		1	0

- 0 ; LOW LEVEL
- 1 ; HIGH LEVEL
- X ; DON'T CARE

